



BADGER AIRBRUSH CO.
RENEGADE SERIES

R1V-Velocity

- gravity feed
- dual action
- internal mix
- hair line - 1"
- .21 MM PAINT TIP
- 6° LINEAR AIRFLOW ANGLE



R2S-Spirit

- side feed-cup or jar
- dual action
- internal mix
- hair line - 1"
- .21 MM PAINT TIP
- 6° LINEAR AIRFLOW ANGLE



R3R-RAGE

- bottom feed
- dual action
- internal mix
- technical pencil line - 1"
- .33 MM PAINT TIP
- 6.5° LINEAR AIRFLOW ANGLE



Congratulations on your purchase of Badger's New Renegade Series Airbrush.

Badger Air-Brush Co.'s new American made Renegade Airbrush Series is developed and designed for the very specific and intricate needs of custom graphic artists who have chosen the automobile or other hard surfaces as their creation canvas. The Renegade Series features three different airbrushes (gravity feed, side feed, siphon feed) to satisfy the usage preference of all automobile graphic artists - regardless of their airbrush style. These incredibly innovative airbrushes feature new "tensionsense" trigger action, "stopset" trigger setting system, exact taper micro-precise paint tips, "pointperfect" carbide polished needles, "smartcenter" nozzle assemblies, the most precise paint tips and linear air flow needle angles - and many other features never before available on a Badger or any other airbrush.

MAINTENANCE AND TROUBLESHOOTING

Your RENEGADE airbrush is designed to provide years of trouble-free airbrushing (with regular attention to simple maintenance).

CAUTION: The RENEGADE needle and paint tip are very delicate. A slight bend of the needle tip, or a split paint tip, can adversely affect the spray pattern. Most often, needle tip damage occurs when the needle passes through the trigger mechanism and the PTFE seal while installing a needle.

If the needle stops abruptly, retract the needle and check the trigger for proper assembly, then re-insert the needle. We suggest you develop the habit of retracting, rotating, and reseating the needle before beginning each session. This will ensure even needle and paint tip wear and extend part life.

If you ever experience spray pattern pulsation, the hold down ring is either loose or the tip is not properly seated or cleaned of build-up on its tapered sides. The only other reason you may experience pulsation is if the needle bearing wears down or falls out.

*This bearing has a lifetime warranty. If this occurs, send the airbrush to Badger for a no-charge replacement. (Rage only) *

WARRANTY

Your RENEGADE airbrush is warranted against all manufacturing defects of material and workmanship for the life of the airbrush. Your RENEGADE carries a lifetime warranty on labor, though parts will be extra after the first year. Negligence, accidents, or airbrushes that have been altered, will void this warranty. (see reverse for additional warranty related note)

Your RENEGADE airbrush will provide years of trouble-free, enjoyable airbrushing... You have my word on it.

Ken Schlotfeldt, President
BADGER AIR-BRUSH CO.



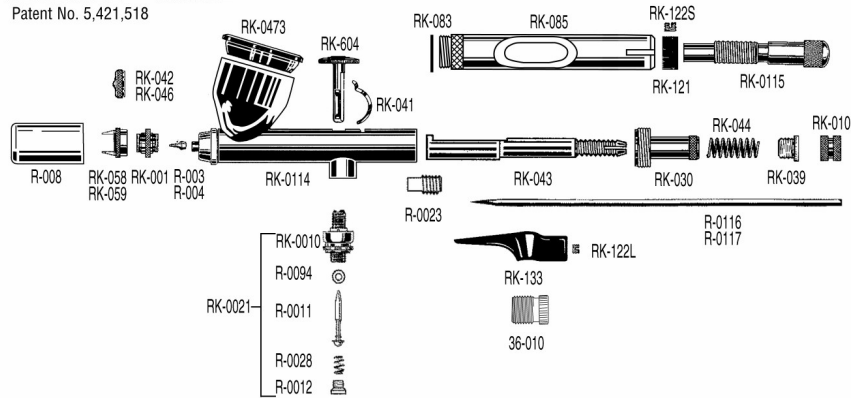
REPLACE PAINT SEAL O-RING

The Renegade Velocity and Spirit airbrush utilize a new PTFE solvent resistant needle seal paint assembly. In the rare occurrence it becomes necessary to replace the paint seal (R-0022) perform the following steps

1. Remove all parts from the airbrush, so as to just have the airbrush body and "o"-ring paint seal system in tact (part R2-0112 or R1-0114 and parts R-0022 and R-0023).
2. After disassembling the airbrush remove the paint seal screw (R-0023) from the back/handle end of the airbrush body using a long thin flat head screw driver. Once the paint seal screw is properly loosened it may be dropped out of the back/handle end of the airbrush.
3. After removing the paint seal screw insert the airbrush needle back into the airbrush from the back/handle end all the way through the paint seal "o"-ring (R-0022) then take it back out again, the paint seal "o"-ring assembly should be on the needle when removed. Take the old paint seal "o"-ring off of the needle (over the needle's back/blunt end) and discard it. (If the paint seal "o"-ring is not on the needle, it may also drop out of the back/handle end of the airbrush body if lightly tapped on a cloth covered hard surface.)
4. Place the new one piece paint seal screw onto the needle (over the needle's back/blunt end) and, while holding the airbrush body vertically with the nozzle end down/handle end up, insert the needle back into the airbrush from the back/handle end, this time pulling the needle all the way through the airbrush body and out the front/nozzle end.
5. Use the screw driver to slowly turn the paint seal screw into the airbrush body until it feels lightly snug. To ensure you have not over tightened the paint seal screw slide airbrush needle through paint seal to see if there is a slight interference fit to needle, if not remove needle and turn 1/12 turn then retest. If needle is too tight, loosen screw 1/12 turn unless slight interference is present.
6. Re-assemble your airbrush and spray happily ever after.

RENEGADE™ KROME™

Patent No. 5,421,518



NOTE: Attached nozzle/tip housing has been permanently affixed to airbrush shell and is not made to be removed.

DO NOT EVEN ATTEMPT TO REMOVE THE NOZZLE/TIP HOUSING FROM THE AIRBRUSH BODY AS AIRBRUSH WILL BE UNREPAIRABLE AND ALL WARRANTIES WILL BE VOIDED IF THIS CONNECTION INDICATES DAMAGE.

R-003	Ultra Fine Tip (V, VJ, S, K)	RK-001	Hold Down Ring	RK-122L	Finger Rest Set Screw Long
R-004	Fine Tip (Rage)	RK-010	Needle Chuck	RK-122S	Collar Set Screw Short
R-008	Protective Cap	RK-030	Tube Shank	RK-133	Finger/Thumb Rest
R-0011	Valve Plunger & "O" Ring	RK-039	Spring Screw	RK-604	Trigger
R-0012	Valve Screw	RK-041	Back Lever	RK-0010	Valve Casing
R-0023	Screw (Needle Seal Adjuster & Seal)	RK-042	Ultra Fine Spray Regulator	RK-0021	Complete Assembled Valve
R-0028	Valve Spring	RK-044	Needle Tube	RK-0114	Krome Shell
R-0094	Valve "O" Ring	RK-043	Needle Tube Spring	RK-0115	Rear Adjustment for Krome
R-0116	Ultra Fine Needle (V, VJ, S, K)	RK-046	Fine Spray Regulator	RK-0473	Krome Color Cup Cap (Metal)
R-0117	Fine Needle (Rage)	RK-058	Fine Spray Regulator	36-010	Badger Airbrush - Iwata Hose Adaptor
R-060	Ultra Fine Conversion—(Includes Spray Reg. w/Prongs, Tip & Needle)	RK-059	Ultra Fine Spray Regulator with Protective arm (V, VJ, S, K)		
R-061	Fine Conversion - (Includes Spray Reg. w/Prongs, Tip & Needle)	RK-083	"O" Ring for Handle	K =Krome	
		RK-085	Brass Handle for Krome	S =Spirit	
		RK-121	Collar	V =Velocity	
				VJ =Velocity Jet	

Note: Finger tighten the hold down ring (part# R-001) and spray regulator when reassembling front head assembly. NEVER tighten these parts into airbrush with wrench or pliers. This will cause damage requiring replacement of front shell assembly.

Notable Renegade Airbrush Series Features

- ~ "Tensionsense" ultra responsive trigger tension control system
- ~ "Stopset" accu-precision trigger setting mode
- ~ Exact taper fit, non-thread, micro-precise paint tips
- ~ "Pointperfect" polished needle micrology
- ~ "Smartcenter" nozzle technology with patented "guide and hold" assembly design ensures perfect paint tip centering for tighter line production
- ~ .21mm paint tips (.33 mm on R3R) 6 ° linear airflow angle - needle point (6.5° on R3R)



Badger Air-Brush Co. 9128 W. Belmont Ave. Franklin Park, IL 60131
Phone: 800-AIR-BRUSH or 847-678-3104 Fax: 800-57BADGER
Website: <http://www.badgerairbrush.com>